



Model No. **ZDA08015A01 SERIES**

Dimension: 80x80x15mm

Frame and Impeller Material: Plastic(UL-94V-O)

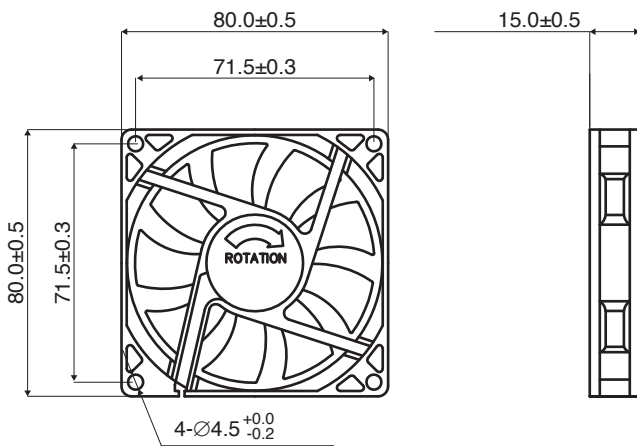
Net Weight: 55g

Lead Wires: ⊕ Red ⊖ Black or Blue (sensor) White

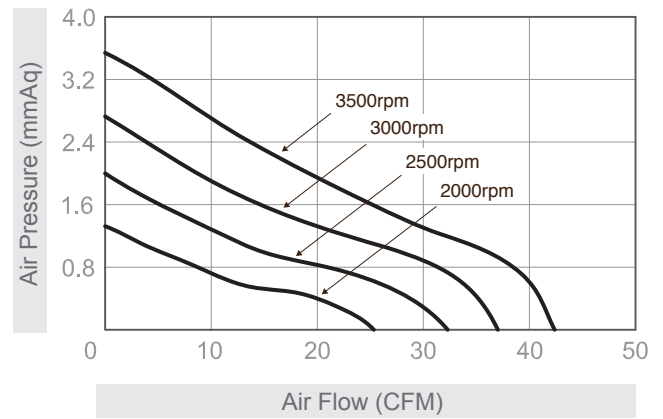
- Bearing system:
- Ball Bearing (B)
  - Sleeve Bearing(S)
  - Duro Bearing (DS)
  - Fluid Dynamic Bearing (FDB)



**OUTLINE** (unit: mm)



**CHARACTERISTIC CURVES**



**SPECIFICATIONS**

Model No	Starting Voltage (V)	Rated Voltage (V)	Rated Current (A)	Rated Input Power (W)	Speed (RPM)	Max Air Flow (CMM) / (CFM)	Max Air Pressure (mmAq) / (inchAq)	Noise (dB(A))
ZDAA08015X12LA01	6	12	0.11	1.32	2000	0.72 / 25.26	1.39 / 0.05	20.4
ZDAA08015X12MA01	6	12	0.13	1.56	2500	0.91 / 32.14	2.04 / 0.08	25.5
ZDAA08015X12HA01	6	12	0.19	2.28	3000	1.04 / 36.81	2.73 / 0.11	30.3
ZDAA08015X12VA01	6	12	0.35	4.20	3500	1.21 / 42.73	3.50 / 0.14	34.1
ZDAA08015X20LA01	18	20	0.08	1.60	2000	0.72 / 25.26	1.39 / 0.05	20.4
ZDAA08015X20MA01	18	20	0.15	3.00	2500	0.91 / 32.14	2.04 / 0.08	25.5
ZDAA08015X20HA01	18	20	0.20	4.00	2800	0.99 / 34.96	2.53 / 0.10	26.7
ZDAA08015X24LA01	20	24	0.15	3.60	2000	0.72 / 25.26	1.39 / 0.05	20.4
ZDAA08015X24MA01	20	24	0.18	4.32	2500	0.91 / 32.14	2.04 / 0.08	25.5
ZDAA08015X24HA01	20	24	0.20	4.80	3000	0.99 / 34.96	2.53 / 0.10	26.7