



Model No. **ZDA07015A01 SERIES**

Dimension: 70x70x15mm

Frame and Impeller Material: Plastic(UL-94V-O)

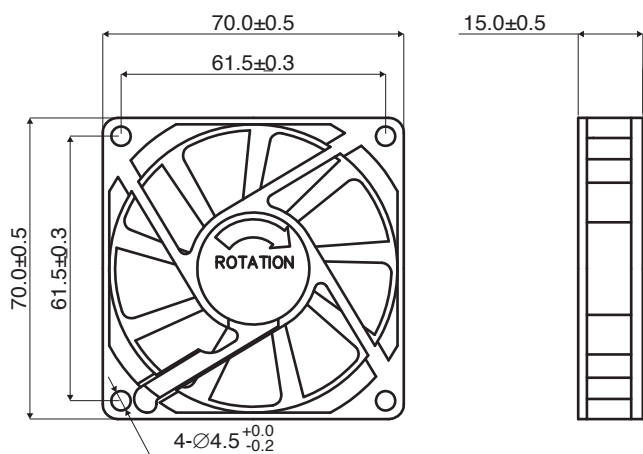
Net Weight: 46.5g

Lead Wires: ⊕ Red ⊖ Black or Blue (sensor) White

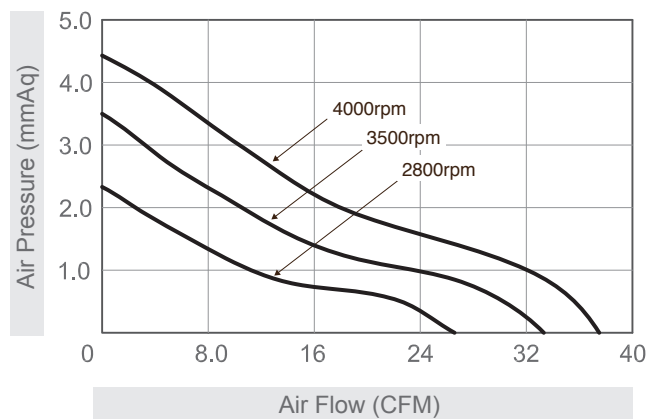
- Bearing system:
- Ball Bearing (B)
 - Sleeve Bearing(S)
 - Duro Bearing (DS)
 - Fluid Dynamic Bearing (FDB)



OUTLINE (unit: mm)



CHARACTERISTIC CURVES



SPECIFICATIONS

Model No	Starting Voltage (V)	Rated Voltage (V)	Rated Current (A)	Rated Input Power (W)	Speed (RPM)	Max Air Flow (CMM) / (CFM)	Max Air Pressure (mmAq) / (inchAq)	Noise (dB(A))
ZDAA07015S12SA01	6	12	0.2	2.4	2800	0.77 / 27.32	2.38 / 0.09	29.8
ZDAA07015B12SA01								
ZDAA07015S12LA01	6	12	0.2	2.4	3500	0.97 / 34.16	3.49 / 0.14	33.6
ZDAA07015B12LA01								
ZDAA07015S12MA01	6	12	0.3	3.6	4000	1.10 / 38.84	4.45 / 0.18	36.3
ZDAA07015B12MA01								
ZDAA07015S12HA01	6	12	0.4	4.8	4500	1.19 / 41.87	5.34 / 0.21	40.1
ZDAA07015B12HD01								