



Model No. **ZDA09215A SERIES**

Dimension: 92x92x15mm

Frame and Impeller Material: Plastic(UL-94V-0)

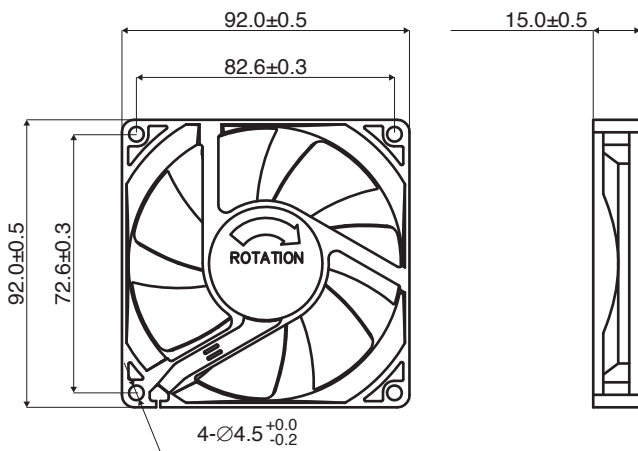
Net Weight: 86.5g

Lead Wires: ⊕ Red ⊖ Black or Blue (sensor) White

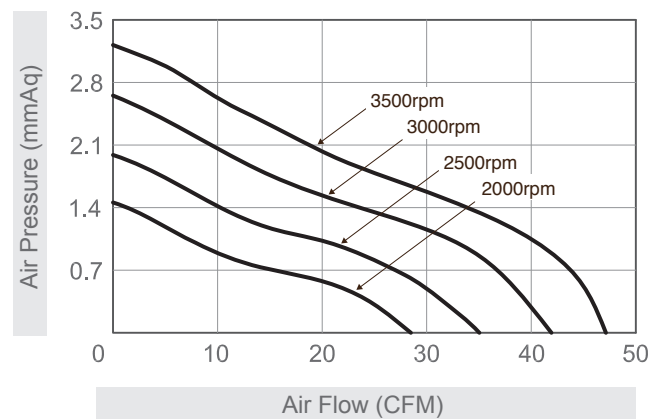
- Bearing system:
- Ball Bearing (B)
 - Sleeve Bearing(S)
 - Duro Bearing (DS)
 - Fluid Dynamic Bearing (FDB)



OUTLINE (unit: mm)



CHARACTERISTIC CURVES



SPECIFICATIONS

Model No	Starting Voltage (V)	Rated Voltage (V)	Rated Current (A)	Rated Input Power (W)	Speed (RPM)	Max Air Flow (CMM) / (CFM)	Max Air Pressure (mmAq) / (inchAq)	Noise (dB(A))
ZDAA09215S12LA01	6	12	0.20	2.40	2000	0.81 / 28.49	1.43 / 0.06	19.6
ZDAA09215B12LA01								
ZDAA09215S12MA01	6	12	0.23	2.76	2500	0.99 / 34.85	1.96 / 0.08	24.3
ZDAA09215B12MA01								
ZDAA09215S12HA01	6	12	0.30	3.60	3000	1.17 / 41.22	2.68 / 0.11	29.5
ZDAA09215B12HA01								
ZDAA09215S12VA01	6	12	0.40	4.80	3500	1.31 / 46.29	3.20 / 0.13	34.7
ZDAA09215B12VA01								