

DC LED Fan / 13.5CM



Model No.

RLXX Y1352512Z 135x135x25mm

Frame and Impeller Material :
Plastic (UL 94V-O)

Bearing system :
Ball Bearing (B)
Sleeve Bearing (S)

Lead Wires :
UL 1007 AWG 28 or equivalent.
Red:+, Black:-

Model No. :

RLXX Y1352512Z

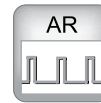
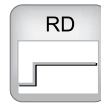
XX= 0~9 or A~Z

Y=Bearing system, can be B or S type..

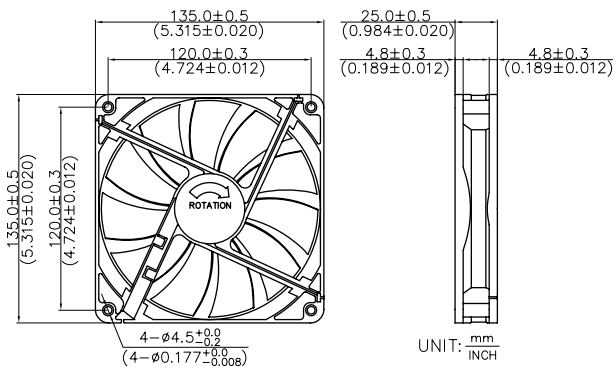
Z=Fan speed, can be, L, M, H, HH or EH.

Net Weight :

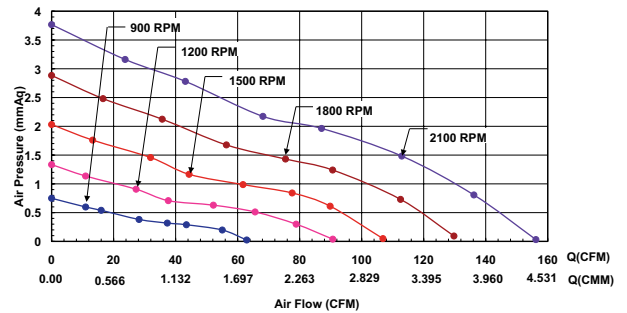
136g



OUTLINE



CHARACTERISTIC CURVES



SPECIFICATIONS

Item Model No.	Rated Voltage	Operating Voltage Range	Rated Current	Starting Voltage	Rated Input Power	Max Air Flow		Max Air Pressure		Noise	Speed
	V _{DC}	V _{DC}	A	V _{DC}	W	CMM	CFM	mmAq	inAq	dBA	RPM±10%
RLXX Y1352512L	12	10.8~13.8	0.20	10.8	2.40	1.78	62.93	0.75	0.75	18.4	900
RLXX Y1352512M	12	10.8~13.8	0.28	6	3.36	2.57	90.68	1.33	1.33	23.3	1200
RLXX Y1352512H	12	6~13.8	0.33	6	3.96	3.03	106.86	2.03	2.03	29.2	1500
RLXX Y1352512HH	12	6~13.8	0.45	6	5.40	3.67	129.76	2.88	2.88	33.9	1800
RLXX Y1352512EH	12	6~13.8	0.50	6	6.00	4.42	156.19	3.77	3.77	38.7	2100