

DC Axial Fan / 12CM



Model No.

X1203812Y 120x120x38mm

Frame and Impeller Material :
Plastic (UL 94V-O)

Bearing system :
Ball Bearing (B)

Lead Wires :
UL 1007 AWG 28 or equivalent.
Red:+, Black:-

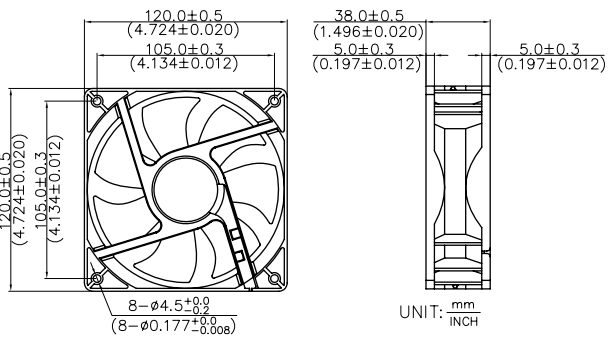
Model No. :
X1203812Y

X=Bearing system, only can be B type.
Y=Fan speed, can be L or M.

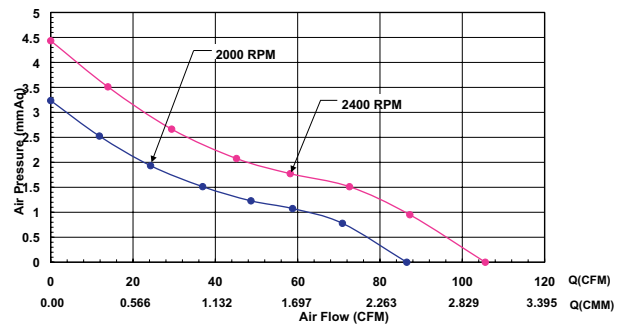
Net Weight :
243g



OUTLINE



CHARACTERISTIC CURVES



SPECIFICATIONS

Item	Rated Voltage	Operating Voltage Range	Rated Current	Starting Voltage	Rated Input Power	Max Air Flow		Max Air Pressure		Noise	Speed
	V _{DC}	V _{DC}	A	V _{DC}	W	CMM	CFM	mmAq	inAq	dBA	RPM±10%
B1203812L	12	6~13.8	0.45	6	5.40	2.45	86.50	3.23	0.13	35.5	2000
B1203812M	12	6~13.8	0.60	6	7.20	2.99	105.60	4.44	0.18	40.2	2400