



Model No.

DS0602512Y 60x60x25mm

Frame and Impeller Material :
Plastic (UL 94V-O)

Bearing system :
Duro Bearing (DS)

Lead Wires :
UL 1007 AWG 28 or equivalent.
Red:+, Black:-

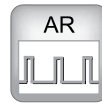
Model No. :

DS0602512Y

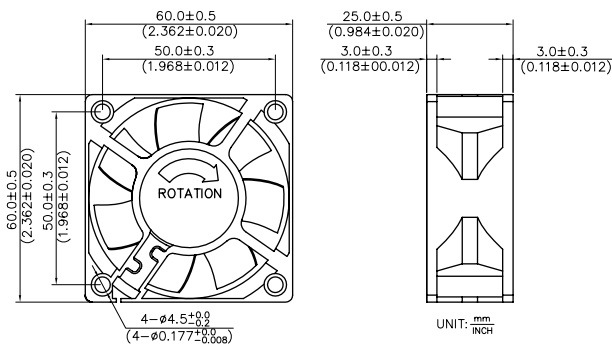
Y=Fan speed, can be LL or L.

Net Weight :

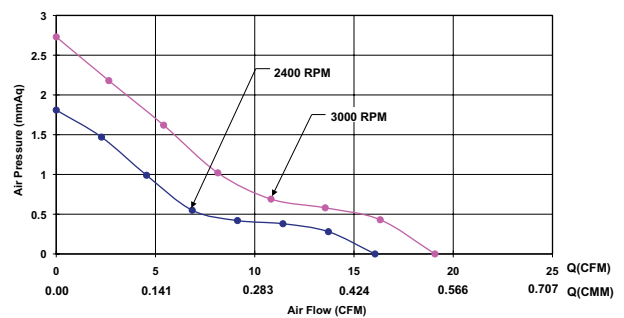
52g



OUTLINE



CHARACTERISTIC CURVES



SPECIFICATIONS

Item	Rated Voltage	Operating Voltage Range	Rated Current	Starting Voltage	Rated Input Power	Max Air Flow		Max Air Pressure		Noise	Speed
	V _{DC}	V _{DC}	A	V _{DC}	W	CMM	CFM	mmAq	inAq	dBA	RPM±10%
Model No. DS0602512LL	12	6~13.8	0.10	6	1.20	0.46	16.07	1.82	0.07	12.8	2400
DS0602512L	12	6~13.8	0.12	6	1.44	0.54	19.08	2.73	0.11	18.9	3000