

DC Axial Fan / 6CM



Model No.

X0602512Y 60x60x25mm

Frame and Impeller Material :
Plastic (UL 94V-O)

Bearing system :
Ball Bearing (B)
Sleeve Bearing (S)

Lead Wires :
UL 1007 AWG 28 or equivalent.
Red:+, Black:-

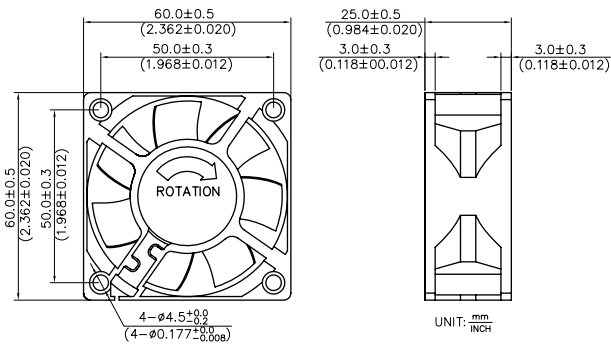
Model No. :
X0602512Y

X=Bearing system, can be B or S type.
Y=Fan speed, can be L, M, H or HH.

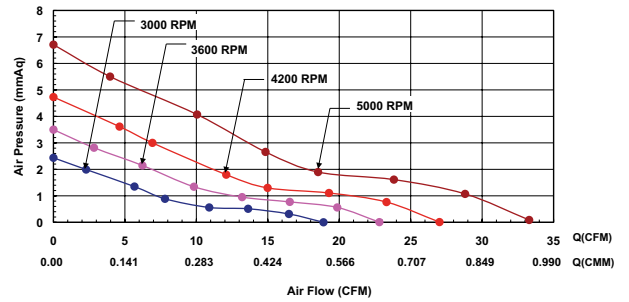
Net Weight :
52g



OUTLINE



CHARACTERISTIC CURVES



SPECIFICATIONS

Item Model No.	Rated Voltage	Operating Voltage Range	Rated Current	Starting Voltage	Rated Input Power	Max Air Flow		Max Air Pressure		Noise	Speed
	V _{DC}	V _{DC}	A	V _{DC}	W	CMM	CFM	mmAq	inAq	dBA	RPM±10%
X0602512L	12	6~13.8	0.12	6	1.44	0.54	18.90	2.44	0.10	22.1	3000
X0602512M	12	6~13.8	0.15	6	1.80	0.65	22.81	3.50	0.14	26.1	3600
X0602512H	12	6~13.8	0.17	6	2.04	0.77	27.02	4.73	0.19	30.4	4200
X0602512HH	12	6~13.8	0.22	6	2.64	0.94	33.29	6.71	0.26	35.5	5000